



BRAKE PRESSURE BLEEDER CAP SET 7PC

MODEL NO: **VS0204C**

Thank you for purchasing a Sealey product. Manufactured to a high standard, this product will, if used according to these instructions, and properly maintained, give you years of trouble free performance.

IMPORTANT: PLEASE READ THESE INSTRUCTIONS CAREFULLY. NOTE THE SAFE OPERATIONAL REQUIREMENTS, WARNINGS & CAUTIONS. USE THE PRODUCT CORRECTLY AND WITH CARE FOR THE PURPOSE FOR WHICH IT IS INTENDED. FAILURE TO DO SO MAY CAUSE DAMAGE AND/OR PERSONAL INJURY AND WILL INVALIDATE THE WARRANTY. KEEP THESE INSTRUCTIONS SAFE FOR FUTURE USE.



Refer to instructions



Wear eye protection



Wear protective gloves

1. SAFETY

IMPORTANT! These instructions are provided as a guide only. Always refer to the vehicle manufacturer's service instructions.

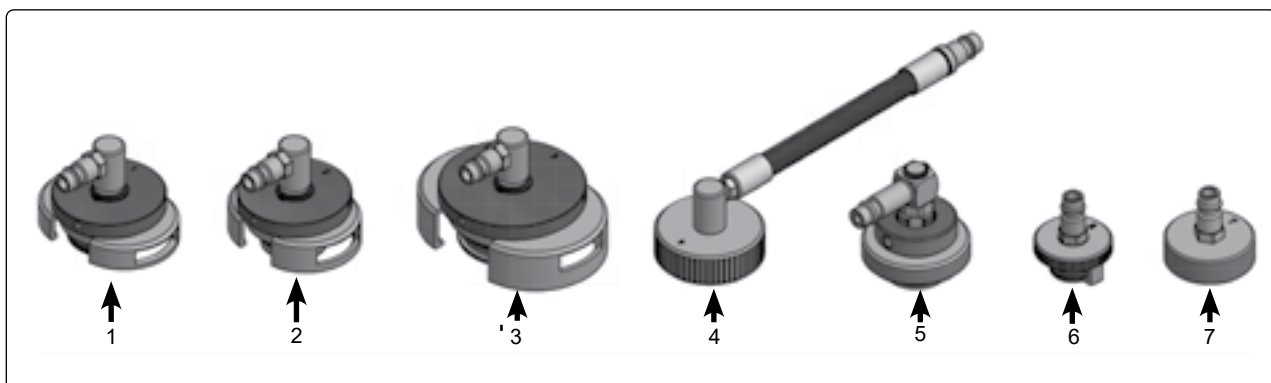
- ✓ It is recommended to perform a leak test to ensure if the adaptor is tightly and securely connected on the reservoir.
- ✓ Keep this product in good working order and condition, take immediate action to repair or replace damaged parts.
- ✓ Use approved parts only. Unapproved parts may be dangerous and will invalidate the warranty.
- ✓ Keep children and unauthorised persons away from the work area.
- ✓ Keep work area clean and tidy and free from unrelated materials.
- ✓ Ensure the work area has adequate lighting.
- ✗ **DO NOT** use the kit to perform a task for which it is not designed.
- ✗ **DO NOT** allow untrained persons to use the kit.
- ✗ **DO NOT** use when tired or under the influence of drugs, alcohol or intoxicating medication.
- ✓ After use, clean equipment and store in a cool, dry, childproof area.
- ✓ Dispose of waste liquids in accordance with local authority regulations.
- ✓ Always read and comply with the warnings on the brake fluid container.
- ✓ Wear eye protection and keep skin contact to a minimum. If brake fluid enters eyes rinse with plenty of water and seek medical advice. If swallowed seek medical advice immediately.
- **WARNING!** Only use new Brake Fluid, used Brake Fluid or other fluids will contaminate the system and possible brake system failure may result.
- **WARNING! DO NOT** pollute the environment by allowing uncontrolled discharge of fluids.
- **WARNING!** Brake fluid is flammable - keep away from sources of ignition, including hot surfaces e.g. exhaust manifold.
- **WARNING!** Brake fluid will damage paintwork. Any spillage should be flushed with water immediately.

2. INTRODUCTION

Brake & clutch reservoir bleed caps (2001-2022). Aluminium made adaptor suitable for pressure bleeding works that require 1-2 bars / 14-30 psi pressure range. Heavy duty adaptor set covers most vehicles. Compatible with Sealey brake bleeders VS0204, VS0204A, VS0207, VS0204A, VS820 & VS821.

3. CONTENTS

Cap 1	Toyota, Lexus.
Cap 2	Chevrolet, GMC, Ford, Hyundai, Kia, Mazda, Mitsubishi.
Cap 3	Honda, Acura.
Cap 4	European Ford & Nissan.
Cap 5	Ford (Fiesta), Mazda, Suzuki.
Cap 6	Nissan (Cube, Juke, Leaf, Micra, Maxima, Tilda, Versa)
Cap 7	Chrysler, Dodge, Jeep, Ram, Mitsubishi (Raider), Toyota (Tacoma)



4. OPERATION

- 4.1. Remove the master cylinder reservoir cap.
- 4.2. Pull out the old brake fluid as much as possible.
- 4.3. Find a suitable adaptor to connect on the reservoir.
- 4.4. Connect the pressure bleeding tool or machine to the adaptor (fig.1).
- 4.5. Follow the instructions as specified by the pressure bleeding tool or machine manufacturer.
- 4.6. It is recommended to perform a leak test to ensure if the adaptor is tightly and securely connected on the reservoir.
- 4.7. Remove the master cylinder reservoir cap (fig.2).
- 4.8. Expand the arms on the adaptor (fig.3).
- 4.9. Press the adaptor down into the master cylinder reservoir filler neck (fig.4).
- 4.10. Close the arms and rotate the top cover to fix the adaptor (fig.5).



5. APPLICATIONS

MAKE	MODELS	YEAR	TYPE	No.
Alfa Romeo	All models	All years	-	4
Audi	All models	All years	-	4
BMW	All models	All years	-	4
Buick	Cascade	2016-2019	1.6L	4
Buick	LaCrosse	2010-2016	2.4L, 3.0L, 3.6L	4
Buick	Regal	2011-2017	2.0L, 2.4L	4
Buick	Verano	2012-2017	2.0L, 2.4L	4
Chevrolet	Cruze	2011-2015	1.4L, 1.8L, 2.0L Diesel	4
Chevrolet	Cruze Limited	2016-2016	1.4L, 1.8L	4
Chevrolet	Malibu	2013-2016	1.8L, 2.0L, 2.4L, 2.5L	4
Chevrolet	Malibu Limited	2016-2016	2.5L	4
Chrysler	All models	All years	-	7
Citroen	All models	All years	-	4
Dodge	All models	All years	-	7
Fiat	All models	All years	-	4
Ford	Almost all models	All years	-	2
Ford	C-Max	2013-2018	2.0L	4
Ford	Escape	2013-2016	1.5, 1.6L, 2.0L, 2.5L	4
Ford	Focus	2012-2018	1.0L, 2.0L, 2.3L	4
Ford	Fusion	2013-2014	-	4
Ford	Transit Connect	2014-2020	1.6L, 2.0L, 2.5L	4
Ford	Transit-150	2015-2019	3.2L Diesel, 3.5L, 3.7L	4
Ford	Transit-250	2015-2019	3.2L Diesel, 3.5L, 3.7L	4
Ford	Transit-350	2015-2019	3.2L Diesel, 3.5L, 3.7L	4
Ford	Transit-350 HD	2015-2019	3.2L Diesel, 3.5L, 3.7L	4
Honda	All models	All years	-	3

Hyundai	All models	All years	-	2
Jaguar	All models	All years	-	4
Jeep	All models	All years	-	7
Kia	All models	All years	-	2
Land Rover	All models	All years	-	4
Lexus	All models	All years		1
Mazda	Almost all models	All years	-	5
Mazda	CX-7	2007-2012	2.3L, 2.5L	4
Mazda	Mazda3	2004-2013	2.0L, 2.3L, 2.5L	4
Mazda	Mazda5	2006-2010	2.3L	4
Mazda	Mazda5	2012-2015	2.5L	4
Mazda MX-5	Miata	2006-2015	2.0L	4
Mercedes-Benz	All models	All years	-	4
Mini	All models	All years	-	4
Mitsubishi	Almost all models	All years	-	2
Nissan	Almost all models	All years	-	2
Nissan	Europe-made models	All years	-	4
Nissan	Cube	2009-2014	1.8L	6
Nissan	Juke	2011-2017	1.6L	6
Nissan	Kicks	2018-2021	1.6L	6
Nissan	Leaf	2013-2021	Electric	6
Nissan	Maxima	2004-2007	3.5L	6
Nissan	NV200	2013-2020	2.0L	6
Nissan	Sentra	2013-2018	1.8L	6
Nissan	Versa	2007-2012	1.8L	6
Nissan	Versa	2007-2021	1.6L	6
Nissan	Versa Note	2013-2018	1.6L	6
Opel	All models	All years	-	4
Peugeot	All models	All years	-	4
RAM	All models	All years	-	7
Renault	Almost all models	All years	-	4
Renault	Kadjar	2015-2021	-	2
Renault	Koleos	2016-2021	-	2
Subaru	All models	All years	-	2
Suzuki	All models	All years	-	5
Toyota	All models	All years	-	1
Volvo	Almost all models	All years	-	4
VW	All models	All years	-	4

6. MAINTENANCE

- 6.1. Ensure that the unit is de-pressurized before carrying out any maintenance and drain all fluids from the fluid supply tube.
- 6.2. Clean up any spilled brake fluid and wipe down with a clean cloth.
- 6.3. Store in a clean, dry and childproof location.



ENVIRONMENT PROTECTION

Recycle unwanted materials instead of disposing of them as waste. All tools, accessories and packaging should be sorted, taken to a recycling centre and disposed of in a manner which is compatible with the environment. When the product becomes completely unserviceable and requires disposal, drain any fluids (if applicable) into approved containers and dispose of the product and fluids according to local regulations.

Note: It is our policy to continually improve products and as such we reserve the right to alter data, specifications and component parts without prior notice.

Important: No Liability is accepted for incorrect use of this product.

Warranty: Guarantee is 12 months from purchase date, proof of which is required for any claim.



Sealey Group, Kempson Way, Suffolk Business Park, Bury St Edmunds, Suffolk. IP32 7AR

01284 757500

sales@sealey.co.uk

www.sealey.co.uk